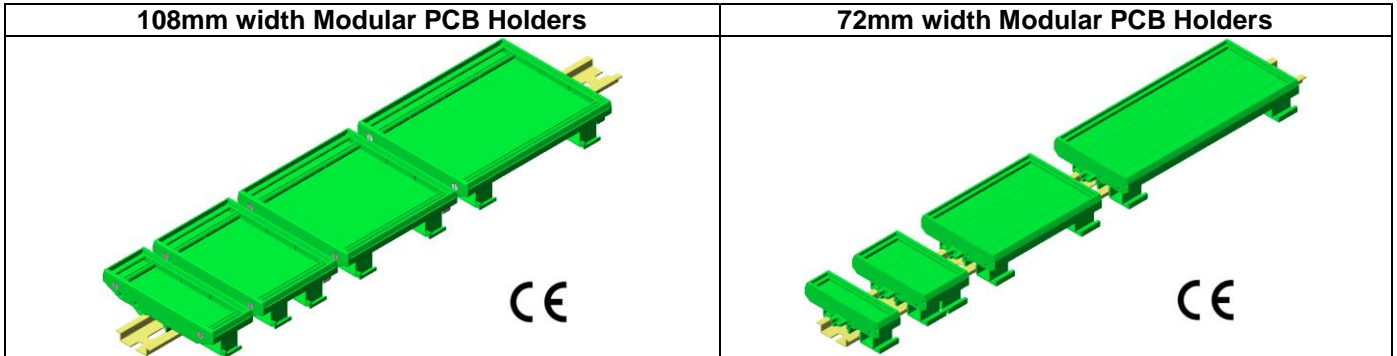




Modular PCB Holders DIN Rail or Panel Mount

Universal mounting for 73 & 108 mm width PCB

Modular PCB Holders provides quick & easy mounting of PCBs on all three Rails. Modular design concept allows variable length of PCBs. Active & passive Interface modules used in Electrical circuits with Electronic system as one of its use. The typical applications of Profile PCB Holders include Mounting custom PCB and Standard interface modules for Din Connectors, Sub Miniature Din Connectors, Flat Cable Connectors also Modules like Relay modules, Opto - coupler modules, Switch modules, Fuse modules, Diode modules, Veristor Modules, Power supply modules, Over Voltage protection modules, Data Transmission & Receiver Modules, Analog/ Digital Converter etc.



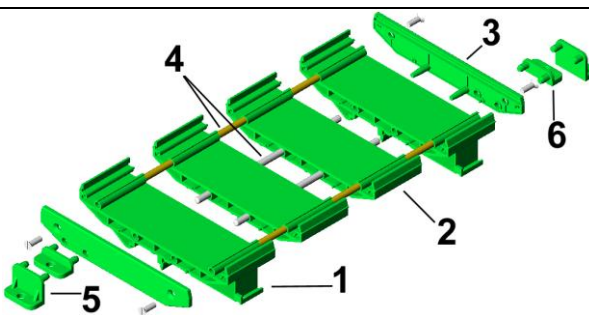
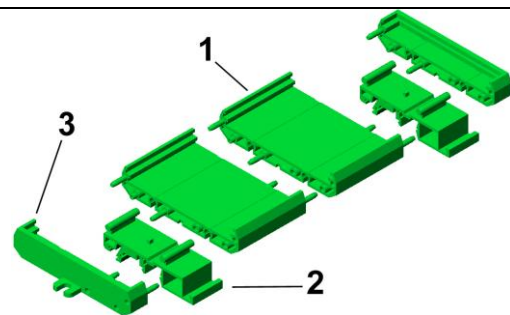
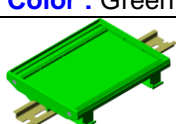
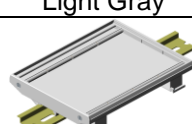

Features

- Universal mounting in all three commercially available rails EN 60 715 TH35, TH15 and G32 DIN rails.
- Available in standard size modules
- Provides quick & easy mounting of PCBs as no cutting or other operation is needed.
- Panel / wall Mounting
- For 72mm and 108mm width PCB size.

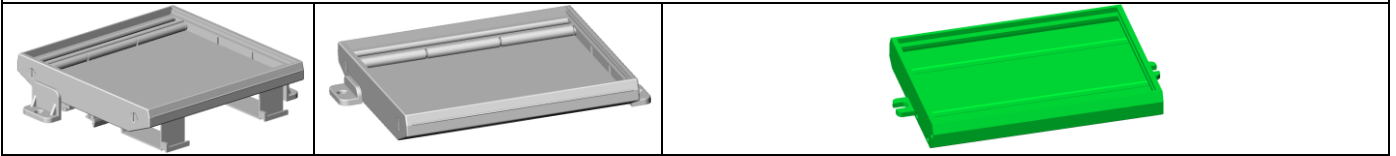
The system: 108 mm width PCB Holders assembly consists of 35 mm Foot pieces, Spacer piece with End pieces. Foot piece provides fixing for complete assembly by simple snap fitting on all three rails. Holders have Integral molded PCB guides for Base PCB. For Panel / wall mounting separate High and Low Brackets available as accessories which fits on End pieces to provide Panel / Surface mounting.

The system: 72 mm width PCB Holders assembly consists of 45mm Base element, two side elements and Foot element. Foot Element provides fixing for complete assembly by simple snap fitting on all three rails. Holders have Integral molded PCB guides for Base PCB. For Panel / wall mounting side element has an integral mounting flange with slot. There is no need of Foot element in Panel mounting.

Modular PCB Holders Parts

108mm width Modular PCB Holders		72mm width Modular PCB Holders	
			
1. Foot Piece 2. Spacer Piece 3. End Piece	4. Pins 5. High Bracket 6. Low Bracket	1. Base Element 2. Foot Element	3. Side element
Material : End Piece : Nylon6.6 Foot Piece : Nylon 6.6 Spacer Piece : Nylon 6.6		Material : Base Element : Nylon 6.6 Foot Element : Nylon 6.6 Side Element : Nylon 6.6	
Color : Green		Color : Green	
			

Panel / Surface Mounting



Ordering Information

UH – Modular PCB Holders – 108mm width

UH-035	Base PCB Size 108 x 37.5 mm	UH-175	Base PCB Size 108 x 179.5 mm
UH-070	Base PCB Size 108 x 73 mm	UH-210	Base PCB Size 108 x 215 mm
UH-105	Base PCB Size 108 x 108.5 mm	UH-245	Base PCB Size 108 x 250.5 mm
UH-140	Base PCB Size 108 x 144 mm	UH-280	Base PCB Size 108 x 286 mm

ACCESSORIES (Loose Parts)

UBRH	High Bracket for Wall / Surface mounting.	UBRL	Low Bracket for Wall / Surface mounting
------	---	------	---

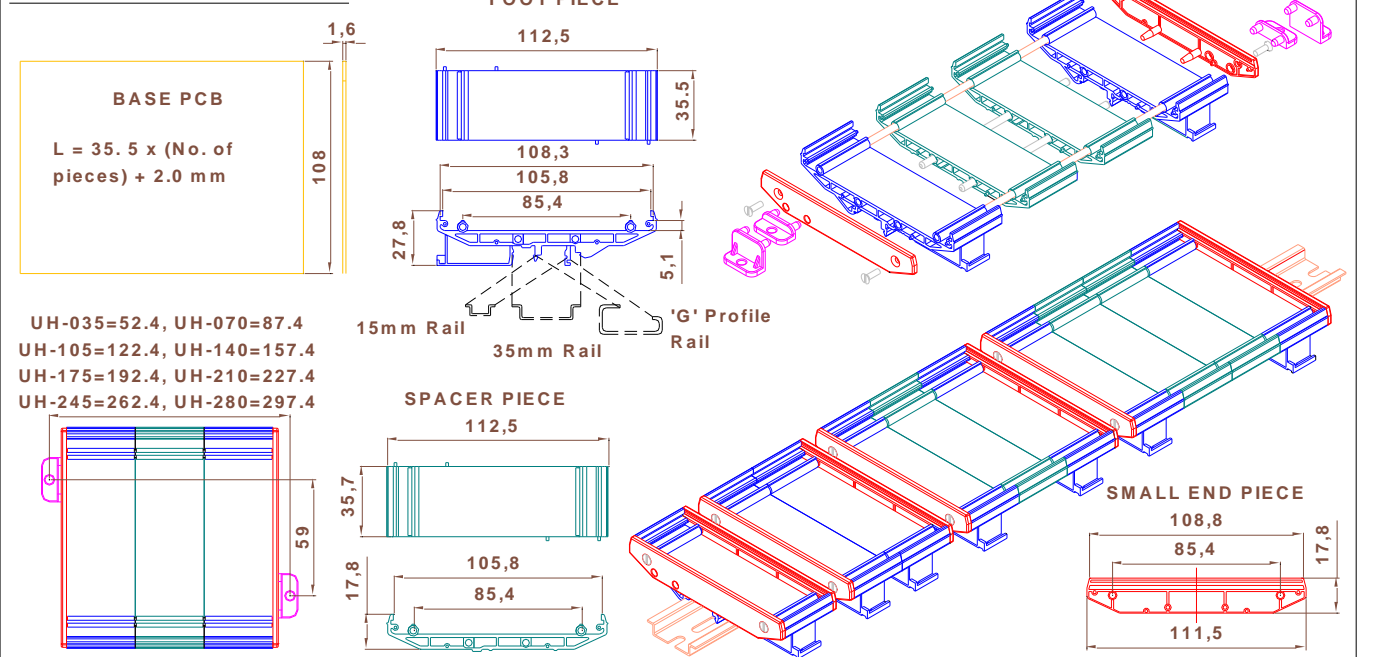
UHS - Modula PCB Holders -- 72mm width

UHS-020	Base PCB Size 72 x 20 mm	UHS-155	Base PCB Size 72 x 153.5 mm
UHS-065	Base PCB Size 72 x 64.5 mm	UHS-200	Base PCB Size 72 x 198 mm
UHS-110	Base PCB Size 72 x 109 mm	UHS-245	Base PCB Size 72 x 242.5 mm

Detail Drawing

Modular PCB Holders

UH - 108mm Width



Modular PCB Holders

UHS - 72mm Width

