



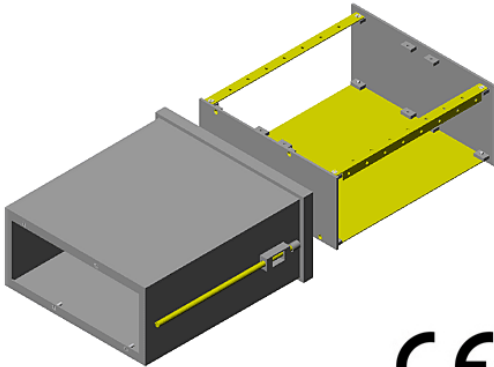
DIN Panel Instrument Cases

1/2 DIN 96 x 192 x 200 mm

IC-192

DIN Panel Cases are suitable for Panel Flush mounting Analog - Digital Instruments / Man-machine interface equipment / process indicators and controllers like Temp indicator, controller, Timers, Counters etc Case is available with front loading cassette which offers space for mounting electronic inside and provides display facility in front and connectors at back. Cassette is versatile assembly of plastic Front and Back panel plate which are joined together by metal plate / metal angles or PCBs. The plastic Front Plates and Back plate available in plain.

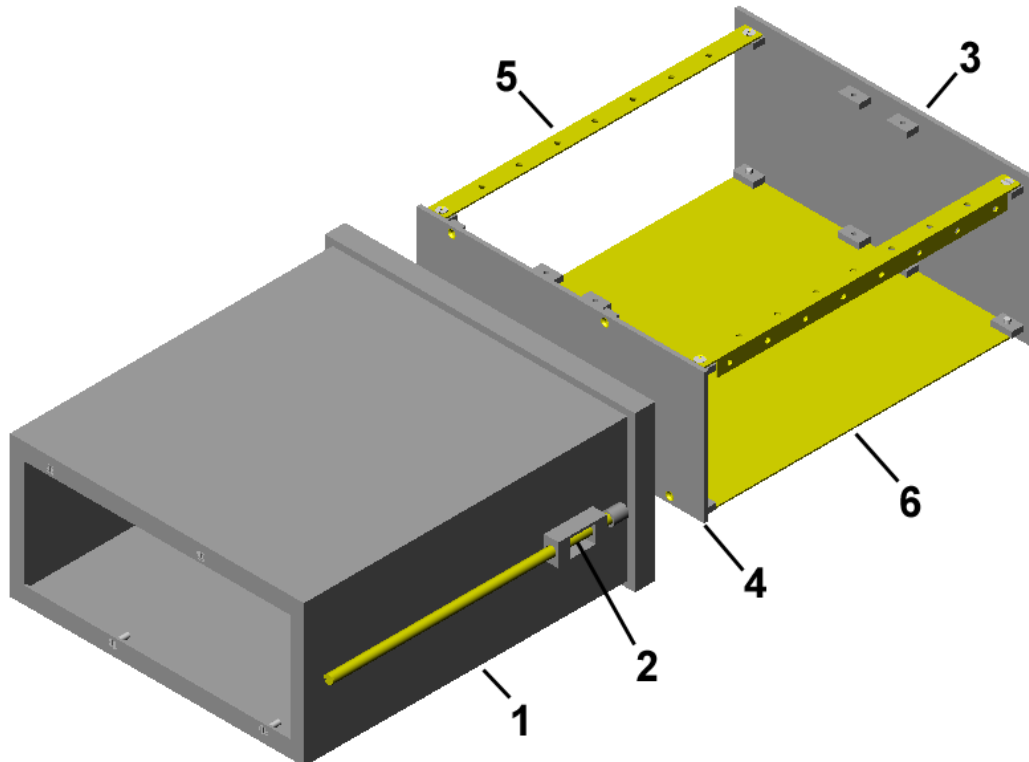
IC-192



Features

- Case size 96x192x 200 mm
- Dimensional size per DIN 43 700 - Panel flush mounting.
- Panel Mounting -- Case inserted into the cutout of the control panel from front and fastening clamps are fixed from rear.
- Front loading cassette offers electronic mounting facility.
- Cassette: versatile assembly of front plate, back plate, Metal plate, Metal angles and PCBs.
- Front plate available in plain.
- Back plate available in plain.
- Customization : Cutout / holes in front plate possible

Case Parts



1. Case
2. Clamp
3. Front plate plain
4. Back plate plain

5. Metal Angles
6. Metal plate

Material :

Case : ABS **Front / Back plain plates** : ABS

Back plates : Nylon

Color : Gloss Black

Matt Finish Spray painted Black & Dark Gray

Ordering Information	
IC-192-01	Case in Black gloss Color
IC-192-02	Case + Clamps
IC-192-03	Case + Clamps + Cassette 'A' type (FP, BP plain, Metal plate & 2 angles)
ACCESSORIES (Loose Parts)	
ICCL-180	Clamps 180mm Long for IC-192
FP-192-00	Front Plate Plain for IC-192 for 96x192 case
BP-192-00	Back Plate Plain for IC-192
MPL - 200	Metal Plate for 150 mm depth Case in IC-150/048
MAG - 200	Metal Angles for 200 mm depth case in IC-192

Detail Drawing

