



DIN Panel Instrument Cases

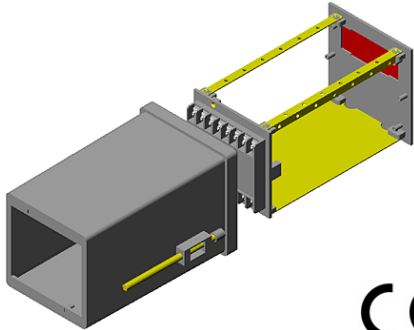
1/4 DIN 96 x 96 x 150 mm - IC-150

DIN Panel Cases are suitable for Panel Flush mounting Analog - Digital Instruments / Man-machine interface equipment / process indicators and controllers like Temp indicator, controller, Timers, Counters etc Case is available with front loading cassette which offers space for mounting electronic inside and provides display facility in front and connectors at back. Cassette is versatile assembly of plastic Front and Back panel plate which are joined together by metal plate / metal angles or PCBs. The plastic Front Plates are also available with few standard cut outs. Back plates are available in plain or with Terminal of solder able type or PCB insertion type.

IC-150

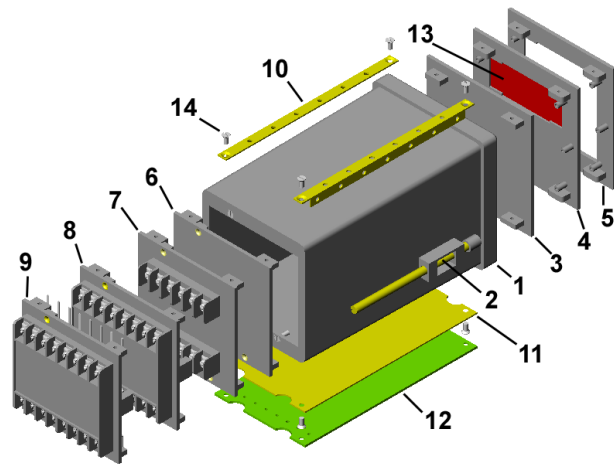
Features

- Case size 96x96x 150 mm
- Dimensional size per DIN 43 700 - Panel flush mounting.
- Panel Mounting -- Case inserted into the cutout of the control panel from front and fastening clamps are fixed from rear.
- Front loading cassette offers electronic mounting facility.
- Cassette: versatile assembly of front plate, back plate, Metal plate, Metal angles and PCBs.
- Front plate available in plain / with Std. cut out & display sheet.
- Back plate in plain / with integral moulded terminals.
- Terminals: 16 (8+8) wire solder type / PCB insertion type.
- Customization : Cutout / holes in front plate possible



Case Parts

- | | |
|--|--|
| <ol style="list-style-type: none"> 1. Case 2. Clamp 3. Front plate plain 4. Front plate Type 01 5. Front plate Type 02 6. Back plate plain 7. Back plate with add on GT-1 Term. | <ol style="list-style-type: none"> 8. Back plate wire jumper C type Term. 9. Back plate PCB insertion D type Term. 10. Metal Angles 11. Metal plate 12. Horizontal PCB 13. Red acrylic 14. Screws |
|--|--|



Material :

Case : ABS **Front / Back plain plates :** ABS

Back plates : Nylon

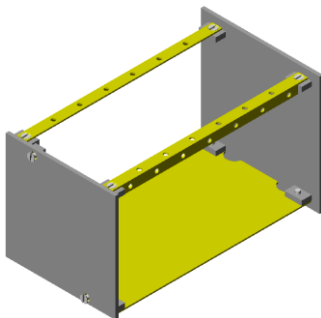
Color : Gloss Black

Matt Finish Spray painted Black & Dark Gray

Cassette Standard Kit

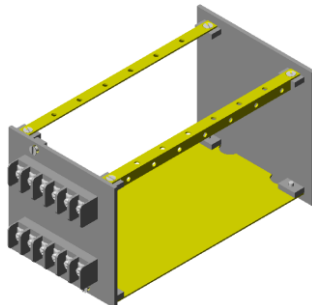
A type

Front Plate plain + Back plate plain + Metal plate + two Angles + Screws



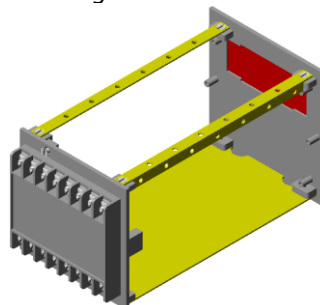
B type

Front Plate plain + Back plate plain + Gt-1 Add on Term + Metal plate + two Angles + Screws



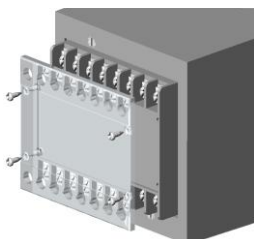
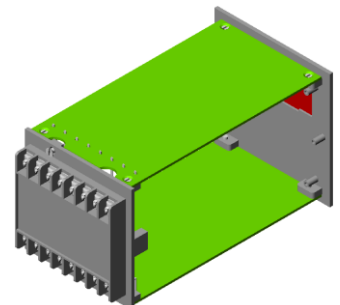
C type

Front Plate with display cut out + Back plate with integral wire jumper Term. + Metal plate + two Angles + Screws



D type

Front Plate with display cut out + Back plate with integral PCB insertion Term. + Screws



New Development: Terminal protection Cover

TC-96 - Transparent terminal cover fixed on Back Plate C & D Type offers protection against accidental contact. IP20 (finger protected). It has recess for Terminal configuration diagram sticker.

Ordering Information

| | |
|------------------------------------|---|
| IC-150-01 | Case in Black gloss Color |
| IC-150-02 | Case + Clamps |
| IC-150-03 | Case +Clamps + Cassette 'A' type (FP, BP plain, Metal plate & 2 angles) |
| IC-150-04 | Case + Clamps + Cassette 'B' type (FP, BP with 12 GT-1 Term, Metal plate & 2 angles) |
| IC-150-05 | Case + Clamps + Cassette 'C' type (FP with display cutout, BP with integral 'C' - Wire Jumper Max 16Term, Metal plate & 2 angles) |
| IC-150-06 | Case + Clamps + Cassette 'D' type (FP with display cutout, BP with integral 'D' - PCB Insertion Max 16Term) |
| ACCESSORIES (Loose Parts) | |
| ICCL-100 | Clamps 100mm Long for IC-110,150,148,048,072 |
| FP-96-00 | Front Plate Plain for 96x96 case in A & B Type Cassette |
| BP-96-00 | Back Plate Plain for 96x96 case in A & B Type Cassette |
| FP-96-01,02,03 | Front Plate With Display Cut out Type - 01,02,03 |
| BP-96-01 | Back Plate for integral 'C' & 'D' type term, w/o Term. Connectors |
| MPL - 150 | Metal Plate for 150 mm depth Case in IC-150/048 |
| MAG - 150 | Metal Angles for 150 mm depth case in IC-150/048 |
| RTS-96-01 | Red Transparent Sheet for FP-96-01,02,03 |
| TC-C | Term. Connectors C Type Loose |
| TC-D | Term. Connectors D Type Loose |
| DCT | Dust Cover for Term. Replacement in B.P. |
| GT-1 | Term. Add On Type for B Type Connection per way |
| GT-1Pcb | PCB for GT-1 Term. Mounting per way available for 2 to 8 ways |
| TC-96 | Terminal Transparent Protection Cover for 96 x 96 cases |

Detail Drawing

