



# DIN Panel Instrument Cases

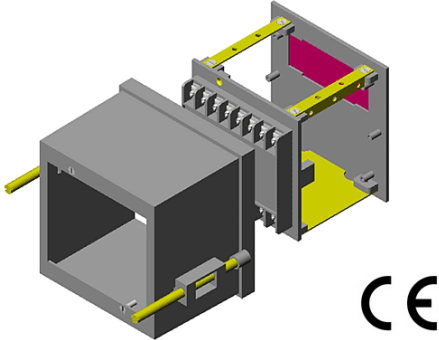
## 1/4 DIN 96 x 96 x 65 mm - IC-065

**DIN Panel Cases** are suitable for Panel Flush mounting analog / Digital Instruments, Man-machine interface equipment and process indicators and controllers like Temp indicator, controller, Timers, Counters etc measuring indicating and control technology. Case is available with front loading cassette which offers space for mounting electronic inside and provides display facility in front and connectors at back. Cassette is versatile assembly of plastic Front and Back panel plate which are joined together by metal plate / metal angles or PCBs. The plastic Front Plates are also available with few standard cut outs. Back plates are available in plain or with Terminal of solder able type or PCB insertion type.

IC-065

### Features

- Case size 96x96x 65 mm
- Dimensional size per DIN 43 700 - Panel flush mounting.
- Panel Mounting -- Case inserted into the cutout of the control panel from front and fastening clamps are fixed from rear.
- Front loading cassette offers electronic mounting facility.
- Cassette: versatile assembly of front plate, back plate, Metal plate, Metal angles and PCBs.
- Front plate available in plain / with Std. cut out & display sheet.
- Back plate in plain / with integral moulded terminals.
- Terminals: 16 (8+8) wire solder type / PCB insertion type.
- Customization : Cutout / holes in front plate possible



### Case Parts

- |                                      |  |
|--------------------------------------|--|
| 1. Case                              | 8. Back plate wire jumper C type Term.   |
| 2. Clamp                             | 9. Back plate PCB insertion D type Term. |
| 3. Front plate plain                 | 10. Metal Angles                         |
| 4. Front plate Type 01               | 11. Metal plate                          |
| 5. Front plate Type 02               | 12. Horizontal PCB                       |
| 6. Back plate plain                  | 13. Red acrylic                          |
| 7. Back plate with add on GT-1 Term. | 14. Screws                               |

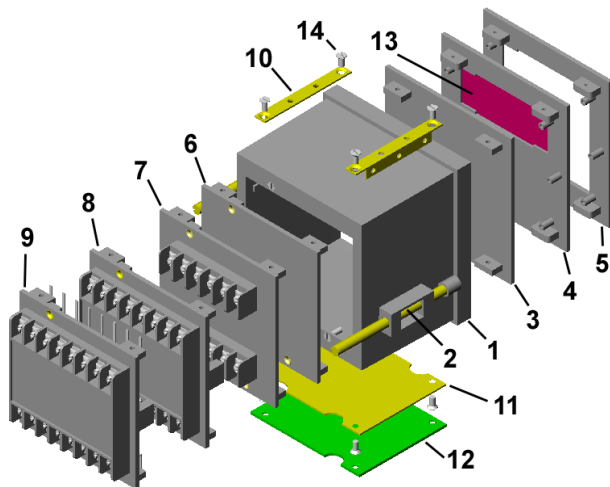
### Material :

**Case :** ABS Front / Back plain plates : ABS

**Back plates :** Nylon

**Color :** Gloss Black

Matt Finish Spray painted Black & Dark Gray



### Cassette Standard Kit

#### A type

Front Plate plain + Back plate plain + Metal plate + two Angles + Screws

#### B type

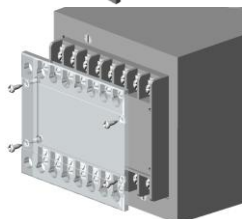
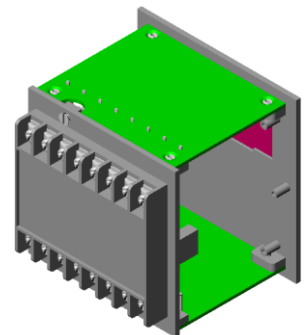
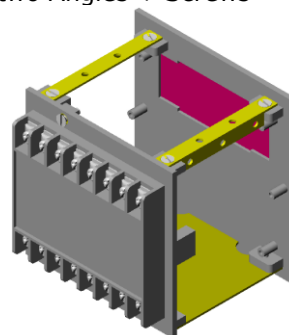
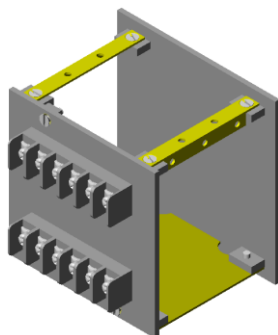
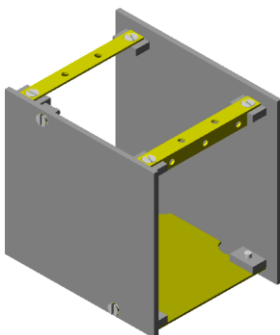
Front Plate plain + Back plate plain + Gt-1 Add on Term + Metal plate + two Angles + Screws

#### C type

Front Plate with display cut out + Back plate with integral wire jumper Term. + Metal plate + two Angles + Screws

#### D type

Front Plate with display cut out + Back plate with integral PCB insertion Term. + Screws



### New Development: Terminal protection Cover

TC-96 - Transparent terminal cover fixed on Back Plate C & D Type offers protection against accidental contact. IP20 (finger protected). It has recess for Terminal configuration diagram sticker.

### Ordering Information

IC-065-01	Case only in Black gloss Color
IC-065-02	Case + Clamps
IC-065-03	Case + Clamps + Cassette 'A' type (FP, BP plain, Metal plate & 2 angles)
IC-065-04	Case + Clamps + Cassette 'B' type (FP, BP with 12 GT-1 Term, Metal plate & 2 angles)
IC-065-05	Case + Clamps + Cassette 'C' type (FP with display cutout, BP with integral 'C' - Wire Jumper Max 16Term, Metal plate & 2 angles)
IC-065-06	Case + Clamps + Cassette 'D' type (FP with display cutout, BP with integral 'D' - PCB Insertion Max 16Term)

### ACCESSORIES ( Loose Parts )

ICCL-065	Clamps 75mm Long for IC-065
FP-96-00	Front Plate Plain for 96x96 case in A & B Type Cassette
BP-96-00	Back Plate Plain for 96x96 case in A & B Type Cassette
FP-96-01,02,03	Front Plate With Display Cut out Type - 01,02,03
BP-96-01	Back Plate for integral 'C' & 'D' type term, w/o Term. Connectors
MPL - 065	Metal Plate for IC-065 Case
MAG - 065	Metal Angles for IC-065 Case
RTS-96-01	Red Transparent Sheet for FP-96-01,02,03
TC-C	Term. Connectors C Type Loose
TC-D	Term. Connectors D Type Loose
DCT	Dust Cover for Term. Replacement in B.P.
GT-1	Term. Add On Type for B Type Connection per way
GT-1Pcb	PCB for GT-1 Term. Mounting per way available for 2 to 8 ways
TC-96	Terminal Transparent Protection Cover for 96 x 96 cases

### Detail Drawing

